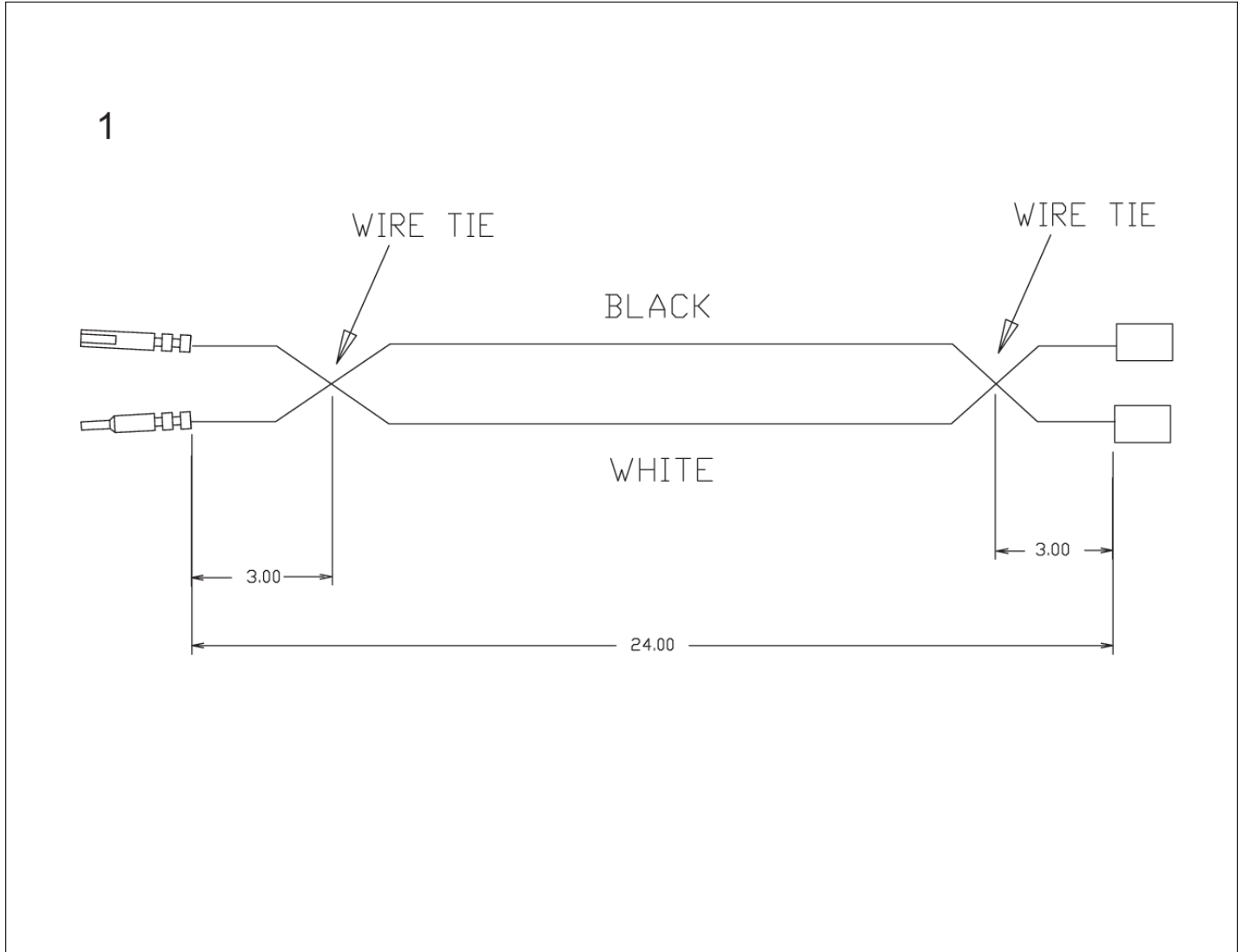


VGRT480-4GAFTER07-09-07

000837-000	1
000878-000	2
002666-000	3
BURNER BOX INTERIOR	4
CONTROL AREA	5
DRIP TRAY	6
GRIDDLE SUBASSEMBLY	7
IGNITER WIRES	8
PE070891	9
SURFACE COOKING AREA	10
WIRING DIAGRAM	11
Appendix A:Pages Index	A
Appendix B:Parts Index	B



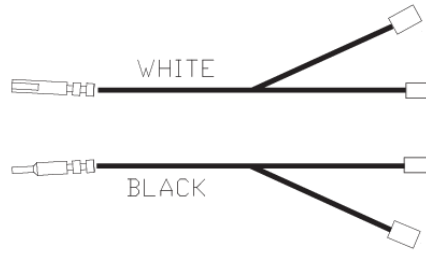
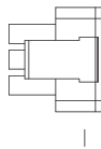
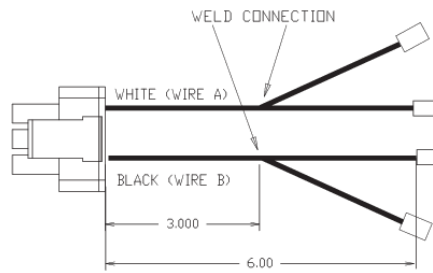


Item	Part No.	Name	Qty	Uom	NOTES
1	000837-000	VGRT SUPPLY CORD JUMPER	1	EA	Not available online / Call for pricing and availability
Not Shown	NOTE	(BEFORE 10/4/11)		EA	
NI	027347-000	SUPPLY CORD JUMPER	1	EA	
Not Shown	NOTE	(ON OR AFTER 10/4/11)		EA	

1

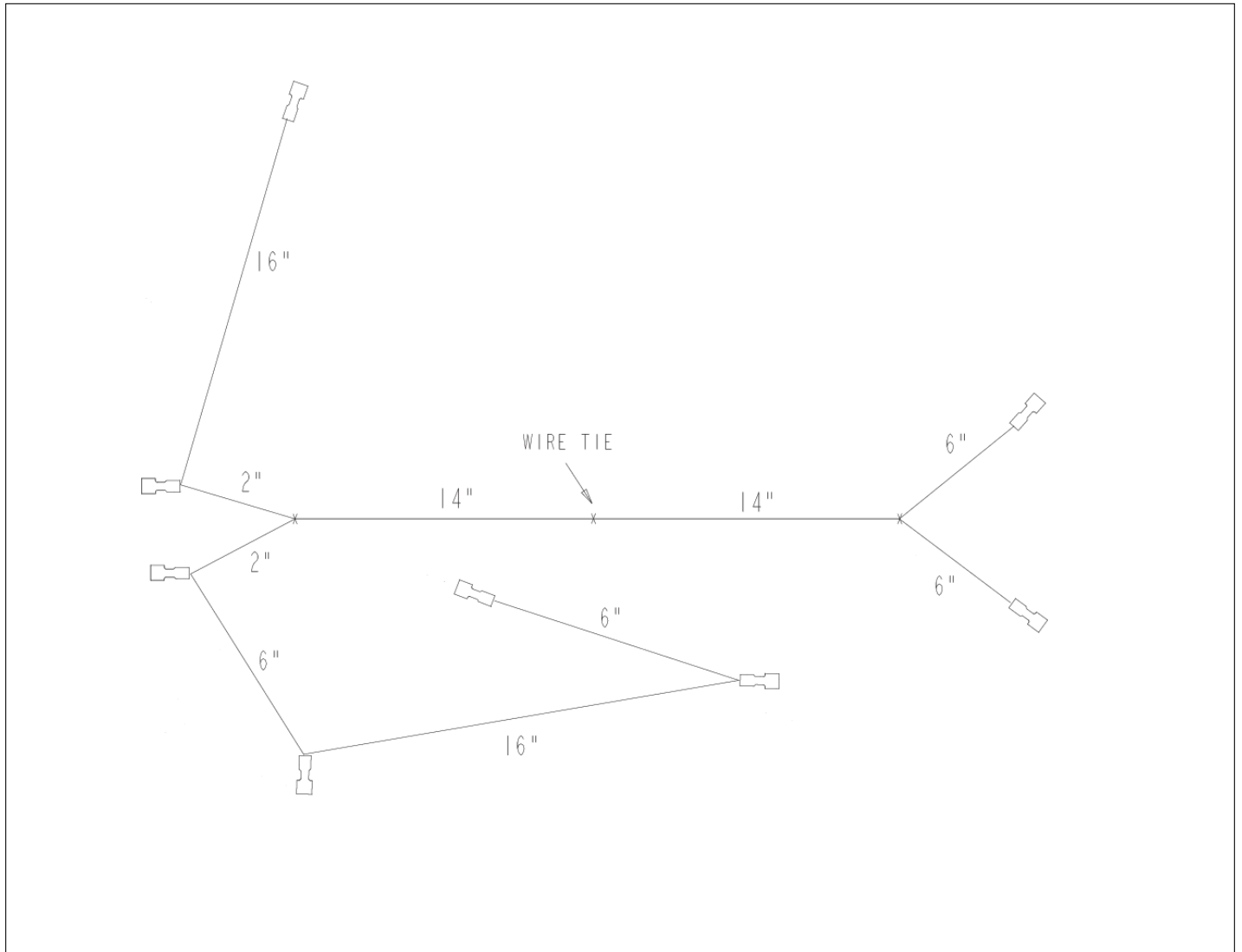
A = POSITION 6.

B = POSITION 4





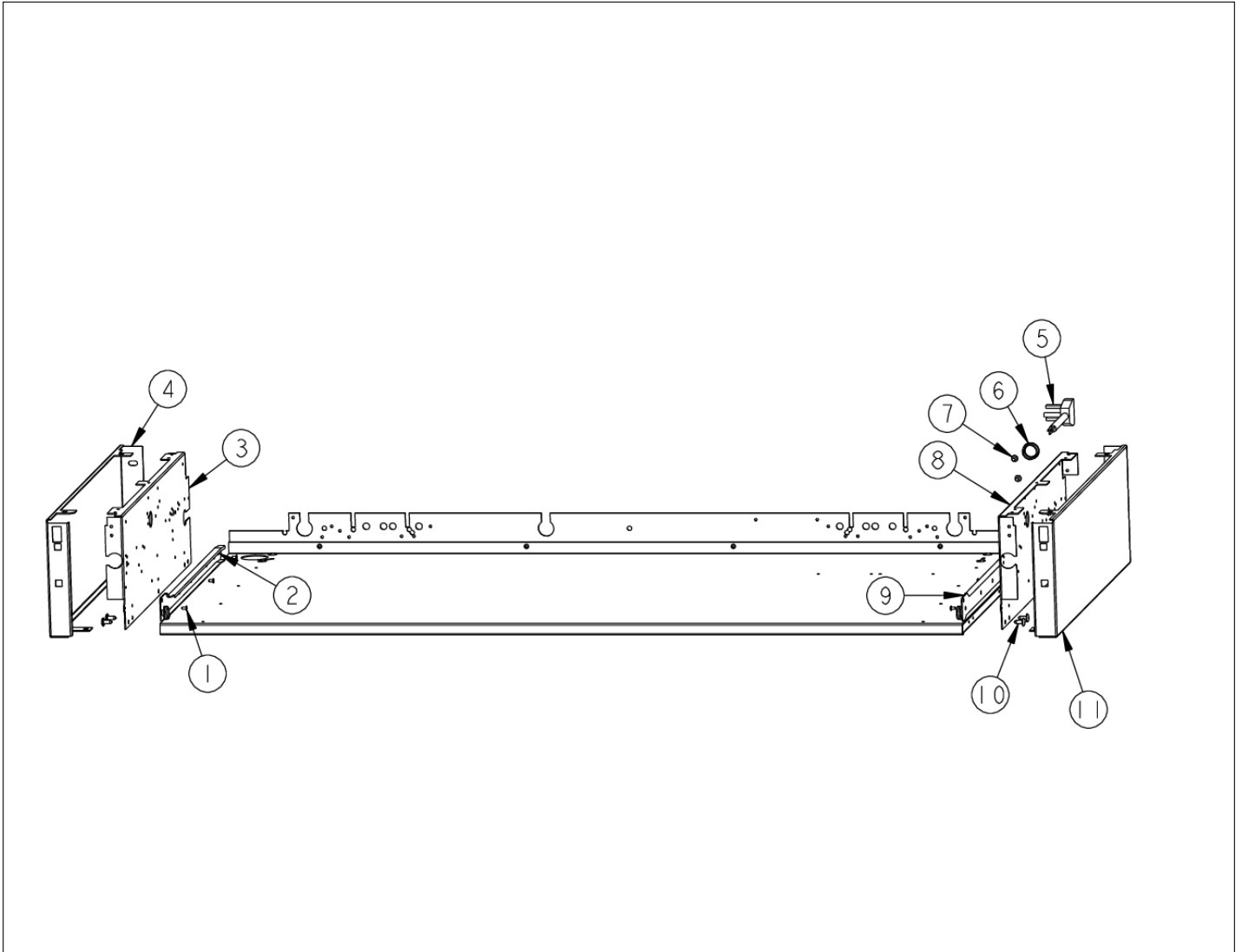
Item	Part No.	Name	Qty	Uom	NOTES
1	000878-000	IRIS POWER JUMPER W/GRIDDLE - NLA	1	EA	NO LONGER AVAILABLE





Item	Part No.	Name	Qty	Uom	NOTES
1	002666-000	VGRT48-4G, GRIDDLE HARNESS W/IRIS	1	EA	

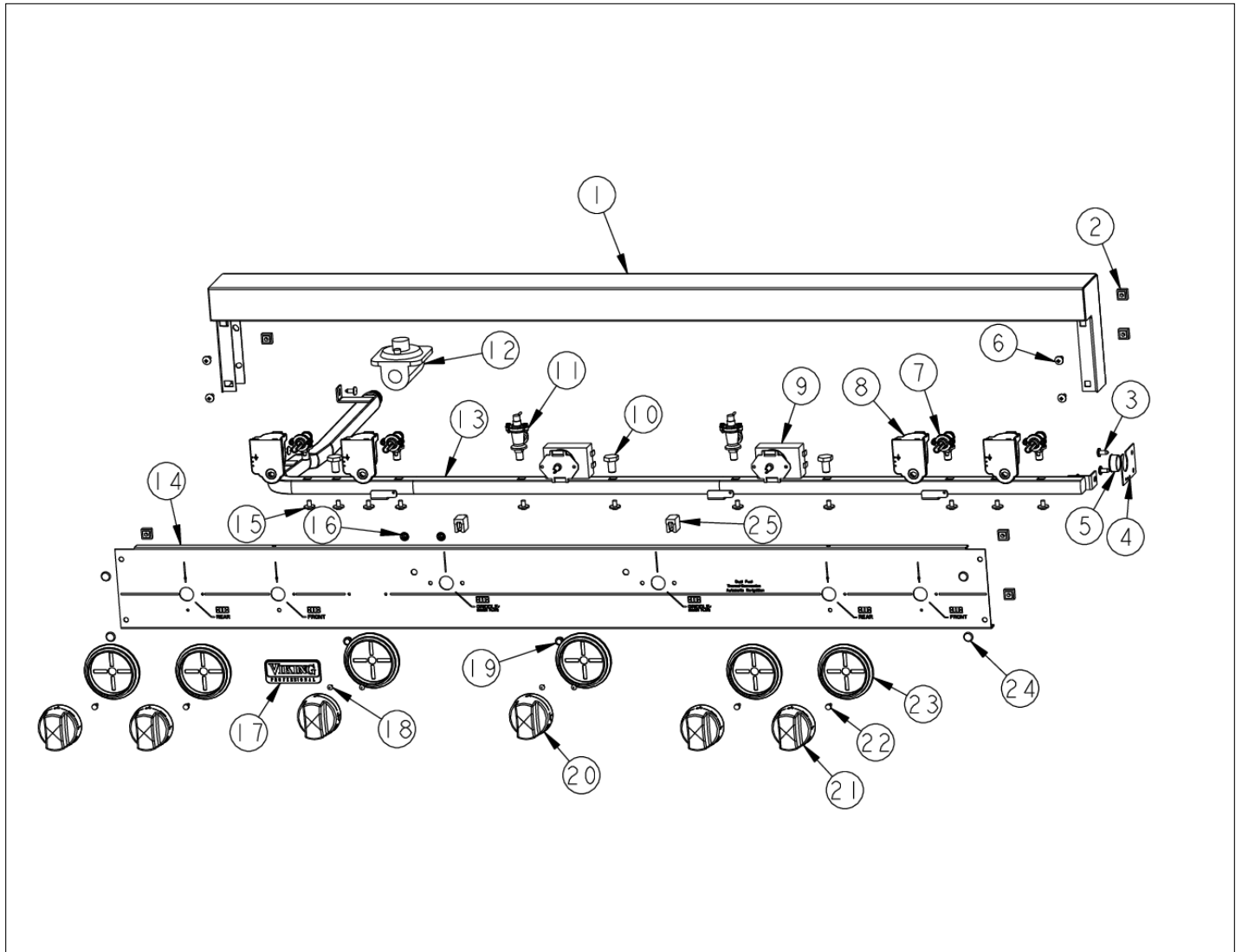
BURNER BOX INTERIOR





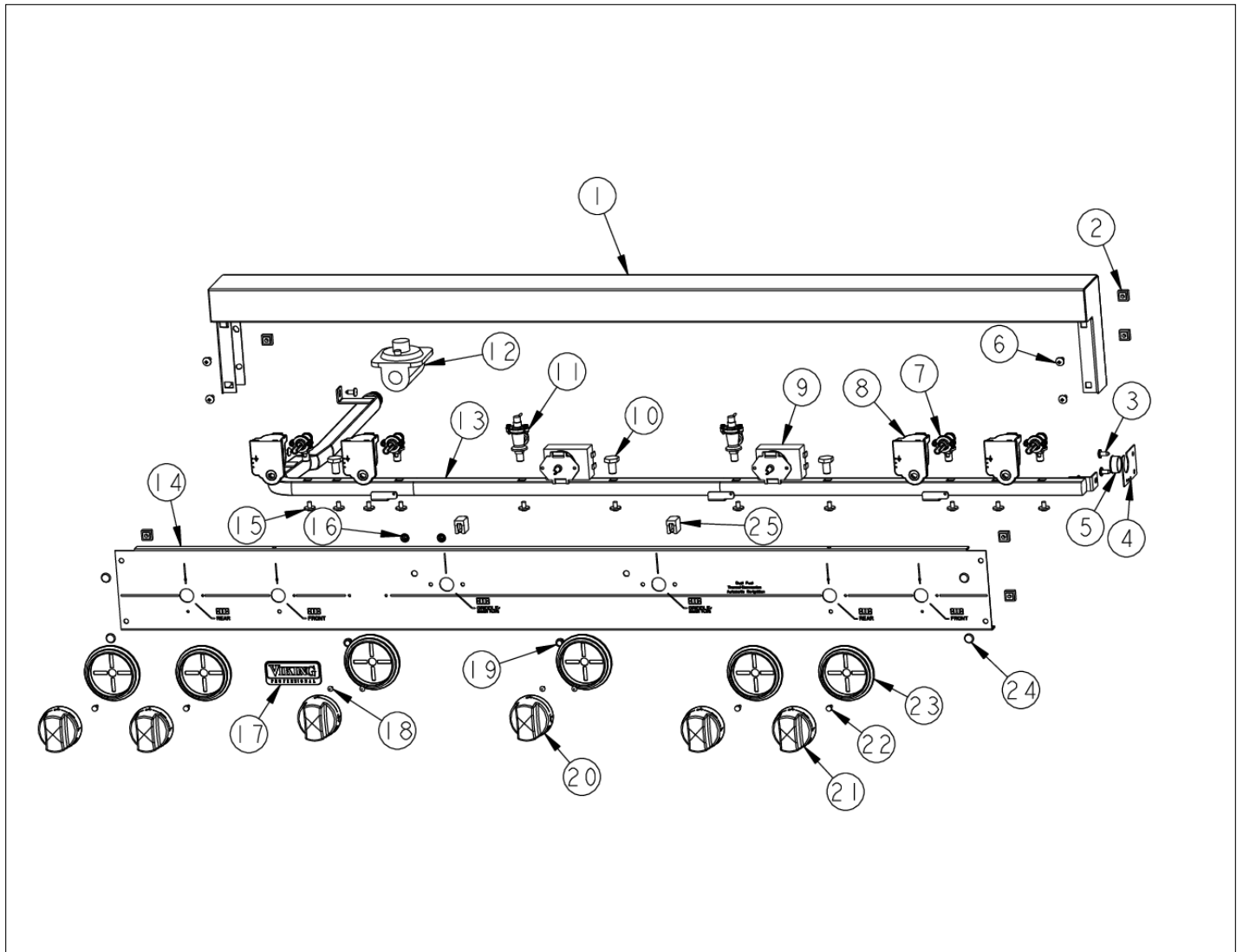
Item	Part No.	Name	Qty	Uom	NOTES
1	PC040010	POP RIVET (.063/GR -.125) GAMD42-A	1	EA	
2	PK000007	DRIP TRAY GUIDE - LH (VGRT)	1	EA	NO LONGER AVAILABLE
3	A2001912	BURNER BOX SIDE LH	1	EA	
4	B2001920	SIDE PANEL-LH (VGRT)	1	EA	
5	PE070128	Supply Cord	1	EA	
6	PD040005	SNAP BUSHING - 7/8"	1	EA	
7	PD020010	10 X 3/8 GREEN GROUNDING SCREW	1	EA	
8	A2001911	BURNER BOX SIDE RH	1	EA	
9	PK000008	Drip Tray Guide - RH	1	EA	NO LONGER AVAILABLE
10	PD020002	10 X 1/2 PH.TR.HD.SMS.	1	EA	
11	B2001919	SIDE PANEL-RH (VGRT)	1	EA	

CONTROL AREA

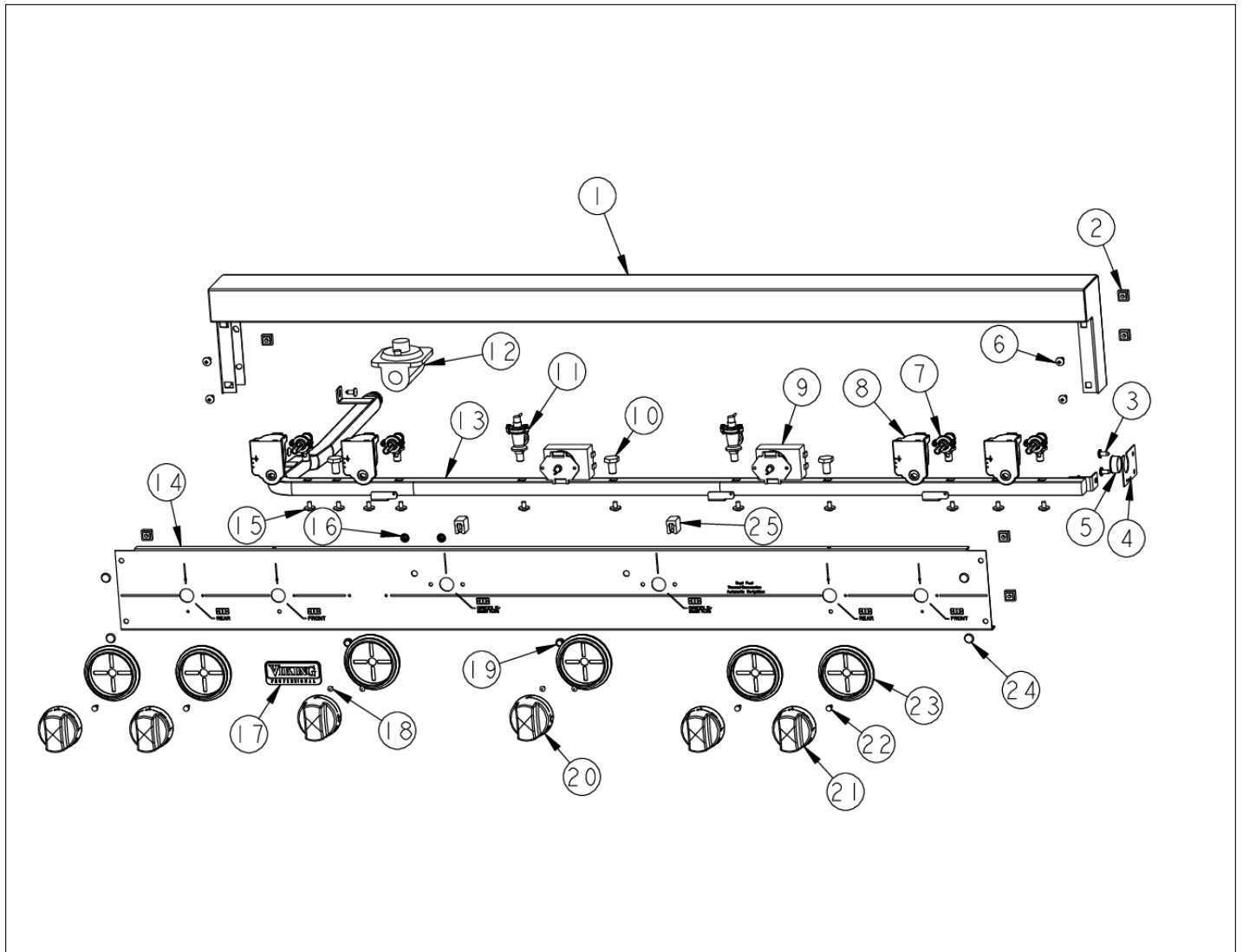




Item	Part No.	Name	Qty	Uom	NOTES
1	G3001584	LANDING LGD 48"	1	EA	
2	PD030005	SELF RETAINING NUT	1	EA	
3	PD020002	10 X 1/2 PH.TR.HD.SMS.	1	EA	
4	A1001138	MANIFOLD BRKT	1	EA	NO LONGER AVAILABLE, Not available online / Call for pricing and availability
5	PD040005	SNAP BUSHING - 7/8"	1	EA	
6	PD010003	10-24 X 1/2 PH.TR.HD.SERD.M.S.	1	EA	
7	003515-000	PA010157 VALVE AND BOLT KIT	1	EA	
8	PA020058	IRIS SINGLE SPARK MODULE	1	EA	
9	PB010264	GRIDDLE THERMOSTAT	1	EA	
10	PA010012	ROPER PLUG	1	EA	
11	007147-000	SHUTOFF VALVE ASSY	1	EA	
12	PA070003	PRESSURE REGULATOR	1	EA	
13	002569-000	UNIVERSAL 48" MANIFOLD	1	EA	
14	B9201580	CTRL PAN-(VGRT48-4G) *SLK SCR*	1	EA	
Not Shown	C9201580AL	CONTROL PANEL VGRT480-4G *AL* SILK SCR	1	EA	NO LONGER AVAILABLE, Not available online / Call for pricing and availability
Not Shown	C9201580BK	CTRL PAN - (VGRT480-4G) *SLK SCR*	1	EA	NO LONGER AVAILABLE, Not available online / Call for pricing and availability
Not Shown	C9201580BT	CONTROL PANEL VGRT480-4G *BT* SILK SCR	1	EA	NO LONGER AVAILABLE, Not available online / Call for pricing and availability
Not Shown	C9201580BU	CONTROL PANEL VGRT480-4G *BU* SILK SCR	1	EA	NO LONGER AVAILABLE, Not available online / Call for pricing and availability
Not Shown	C9201580CB	CONTROL PANEL VGRT480-4G *CB* SILK SCR	1	EA	NO LONGER AVAILABLE, Not available online / Call for pricing and availability



Item	Part No.	Name	Qty	Uom	NOTES
Not Shown	C9201580EP	CONTROL PANEL VGRT480-4G *EP* SILK SCR	1	EA	NO LONGER AVAILABLE
Not Shown	C9201580FG	CONTROL PANEL VGRT480-4G *FG* SILK SCR	1	EA	NO LONGER AVAILABLE, Not available online / Call for pricing and availability
Not Shown	C9201580GG	CONTROL PANEL VGRT480-4G *GG* SILK SCR	1	EA	NO LONGER AVAILABLE, Not available online / Call for pricing and availability
Not Shown	C9201580LE	CONTROL PANEL VGRT480-4G *LE* SILK SCR	1	EA	NO LONGER AVAILABLE, Not available online / Call for pricing and availability
Not Shown	C9201580MJ	CONTROL PANEL VGRT480-4G *MJ* SILK SCR	1	EA	NO LONGER AVAILABLE, Not available online / Call for pricing and availability
Not Shown	C9201580SG	CONTROL PANEL VGRT480-4G *SG* SILK SCR	1	EA	NO LONGER AVAILABLE, Not available online / Call for pricing and availability
Not Shown	C9201580VB	CONTROL PANEL VGRT480-4G *VB* SILK SCR	1	EA	NO LONGER AVAILABLE, Not available online / Call for pricing and availability
Not Shown	C9201580WH	CTRL PAN - (VGRT480-4G))*SLK SCR*	1	EA	NO LONGER AVAILABLE, Not available online / Call for pricing and availability
15	PD010012	1/4 x 3/8 VALVE BOLT	1	EA	
16	PD030006	CAPPED WASHER PAL NUT	1	EA	
17	PE010142	3" VIKING LOGO BLACK/CHROME	1	EA	
Not Shown	PE010143	3" LOGO BK/BR	1	EA	
Not Shown	PE010144	3" LOGO *WH*CHROME	1	EA	NO LONGER AVAILABLE
Not Shown	PE010145	LOGO - WH / BR	1	EA	
18	PD020006	' #6-32 X 1/4" PH.PAN HD. T(F)	1	EA	
19	PE050023	OVEN IND. LIGHT (LENS & BEZEL)	1	EA	





Item	Part No.	Name	Qty	Uom	NOTES
20	PB010103	GRIDDLE KNOB N/S *BK*	1	EA	
Not Shown	PB010104	GRIDDLE KNOB N/S *WH*	1	EA	
21	PB010206	TOP BURNER KNOB BK	1	EA	
Not Shown	PB010207	TOP BURNER KNOB WH	1	EA	Not available online / Call for pricing and availability
22	PD020067	' #6 X 3/8" PAN PHIL. TEK *SS*	1	EA	
23	050172-000	BEZEL, KNOB	1	EA	
Not Shown	PB010209	Bezel - BR	1	EA	
24	PD020033	SRW-#10-24X1/2"T(23)PH.WFR HD (NKL)	1	EA	
25	PE050024	OVEN IND. LIGHT (LIGHT HOUSING)	1	EA	

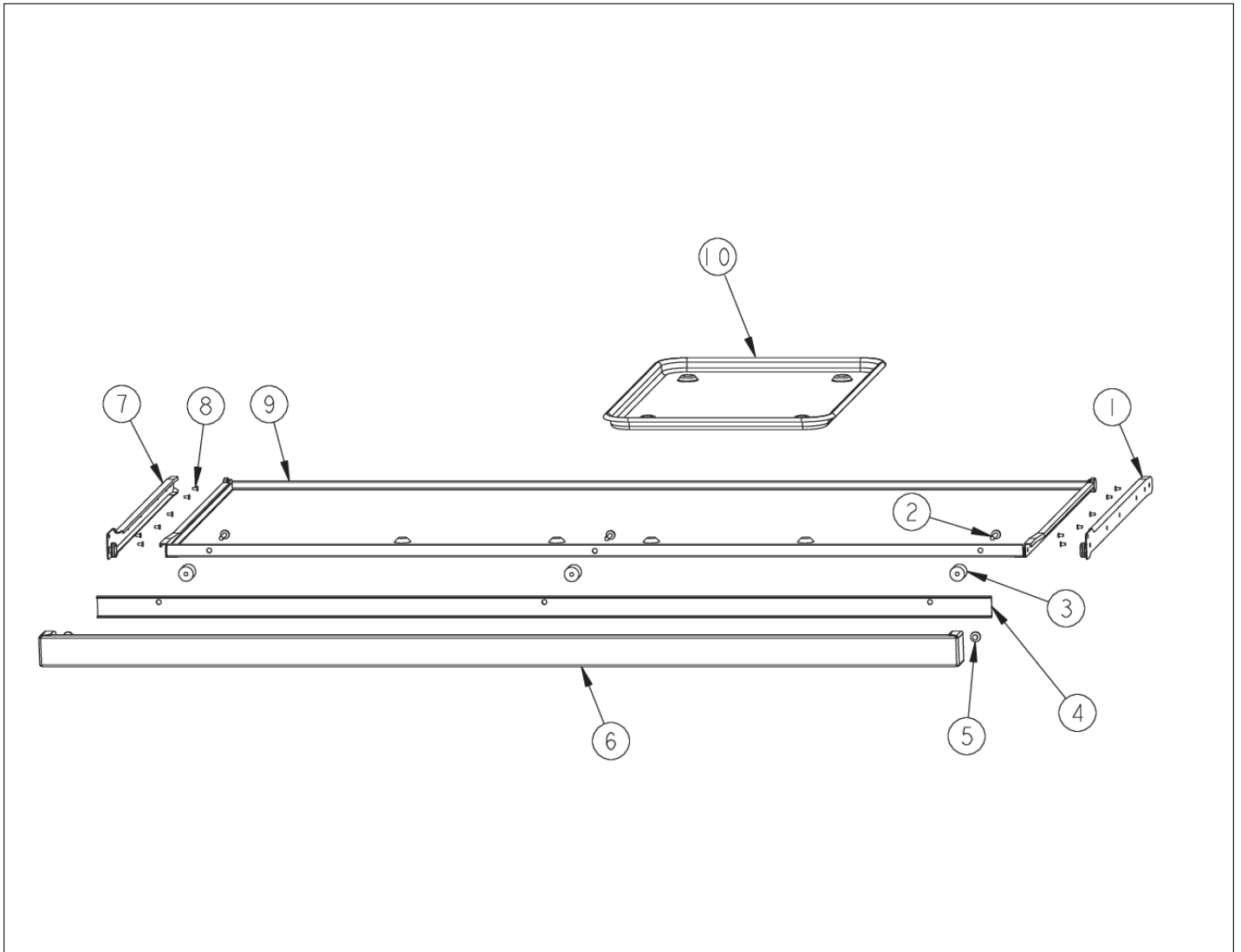
Comments for Part Num. PE050024

haarnink@vikingrange.com on Jan 14, 2019

please note that the indicator light is now part 043135-000 but needs the Jumper harness 051443-000. and second option there are units in the field with a 230V indicator light part number 036566-000.

please check this for all "E" module ranges/Tops

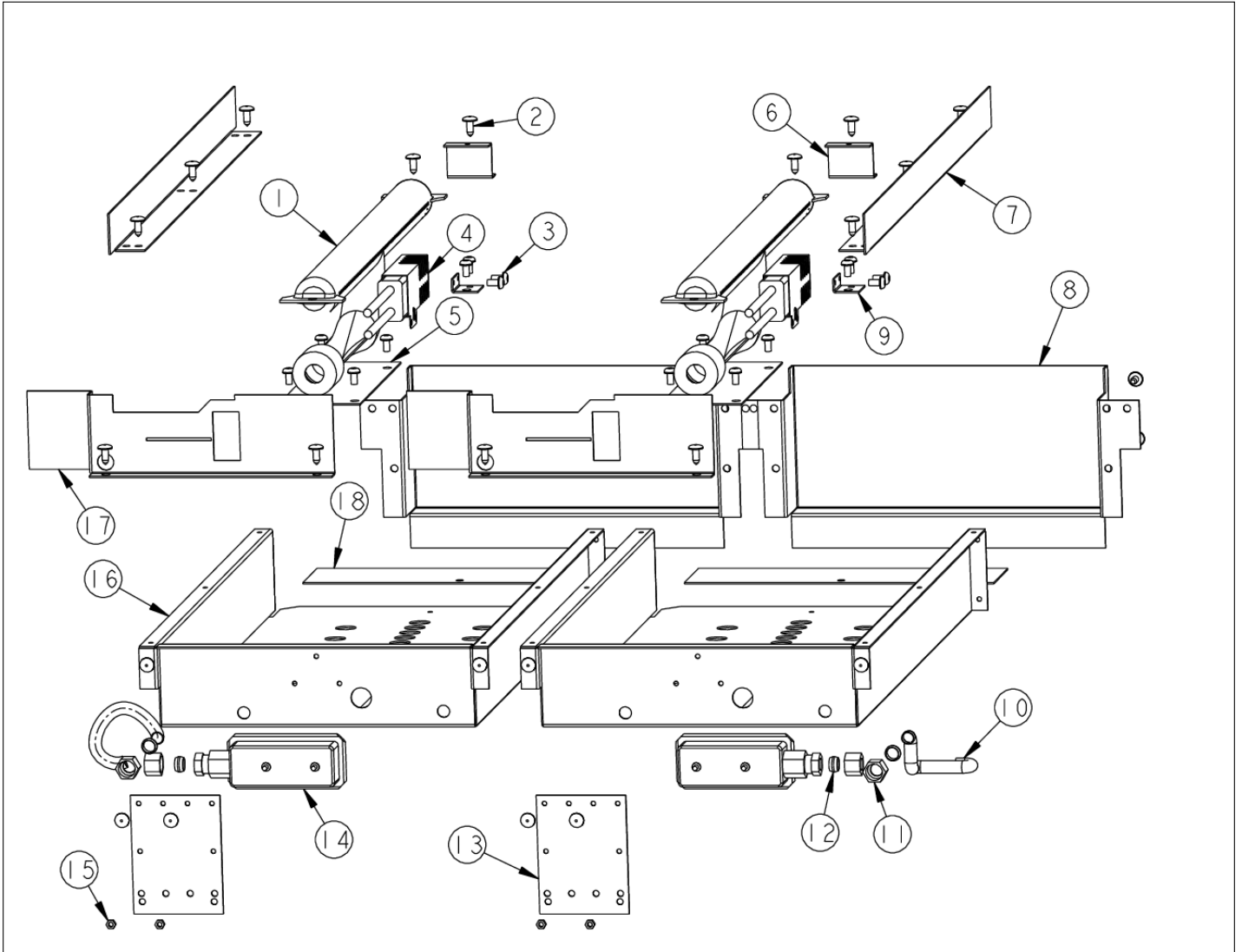
DRIP TRAY





Item	Part No.	Name	Qty	Uom	NOTES
1	PK000008	Drip Tray Guide - RH	1	EA	NO LONGER AVAILABLE
2	PD020049	#10 X 1 1/4 PH. PAN HD. T(A)	1	EA	
3	PD040028	BUSHING(.194ID/.750OD/.750L ONG)	1	EA	
4	A20010693	DRIP TRAY HANDLE BACK 48	1	EA	
5	PD040004	GROMMET BUMPER	1	EA	
6	G30010697	DRIP TRAY HANDLE ASSY 48"	1	EA	
Not Shown	G93011461PVD	DRIP TRAY HANDLE ASSY 48" PVD - NLA	1	EA	
7	PK000007	DRIP TRAY GUIDE - LH (VGRT)	1	EA	NO LONGER AVAILABLE
8	PC040010	POP RIVET (.063/GR -.125) GAMD42-A	1	EA	
9	G30013336	48" DRIP TRAY ASSY. 6Q &4GQ - NLA	1	EA	
10	J2101749	GREASE PAN	1	EA	

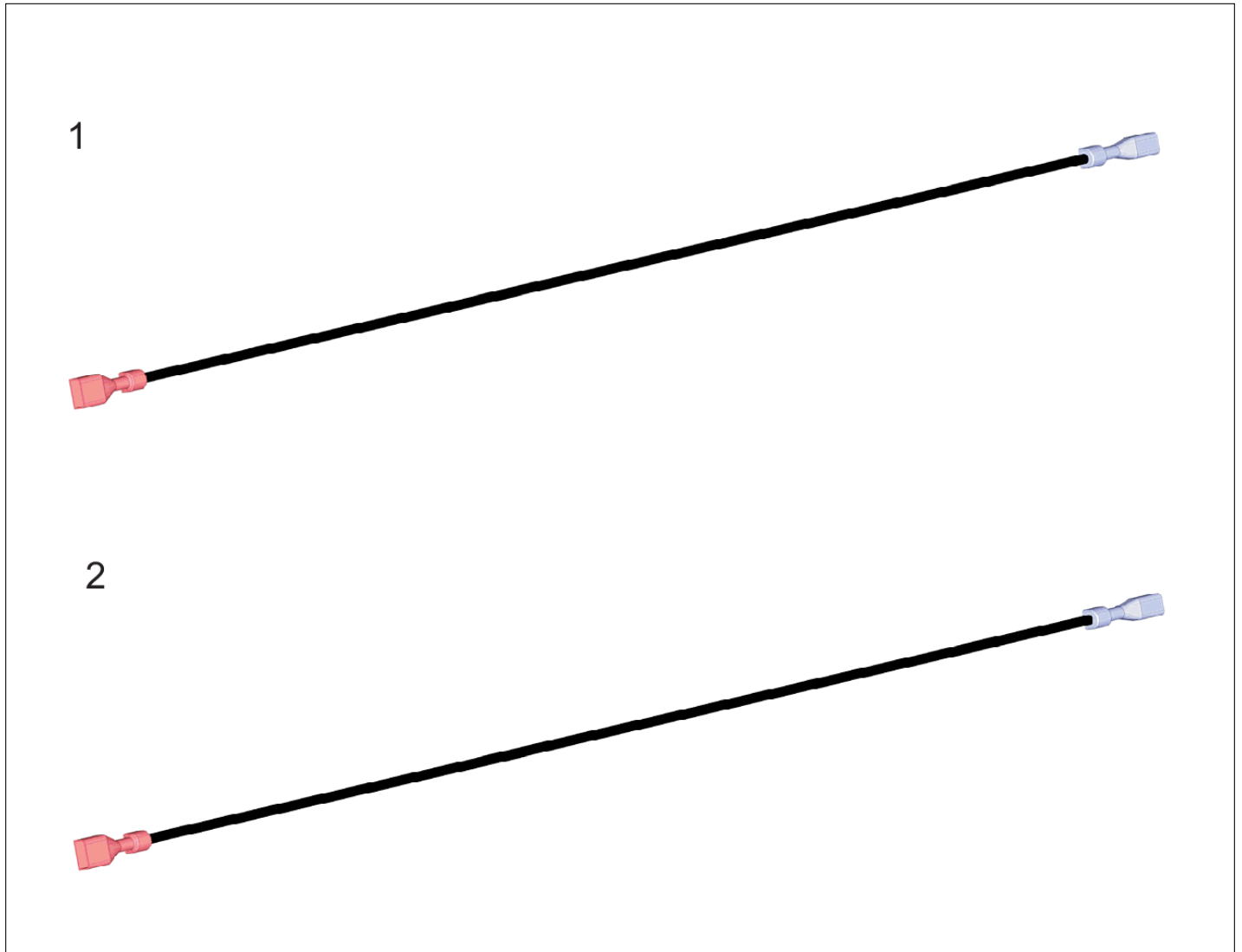
GRIDDLE SUBASSEMBLY





Item	Part No.	Name	Qty	Uom	NOTES
1	PB050077	GRILL BURNER	1	EA	
2	PD020002	10 X 1/2 PH.TR.HD.SMS.	1	EA	
3	PD020004	10X3/8PH.HD.TYPE 25 REPL PD040125	1	EA	
4	PB040001	Igniter	1	EA	
5	A1001636	GRIDDLE VENTURI COVER	1	EA	
6	A2002847	SUPT-GRIDDLE BURNER	1	EA	
7	A2002896	GRIDDLE BOX EXTENSION (LH / RH)	1	EA	Not available online / Call for pricing and availability
8	A2002899	GRIDDLE FLUE BOX	1	EA	Not available online / Call for pricing and availability
9	A2001300	Griddle Igniter Bracket	1	EA	
10	PB020116	TUBING - 10" FLEXIBLE 12 & 24"	1	EA	
11	PB040051	3/8CC FEMALE COMP. FITTING	1	EA	
12	PB040049	3/8 *BR* FERRULE (FOR 3/8CC FEMALE	1	EA	
13	A1001198	THERMAL VALVE BRKT	1	EA	NO LONGER AVAILABLE, Not available online / Call for pricing and availability
14	PB010004	SINGLE SAFETY VALVE (NAT. GRIDDLE)	1	EA	
15	PD030012	6-32 HEX NUT	1	EA	
16	A2007610	GRIDDLE BOX - VGIC4854G	1	EA	Not available online / Call for pricing and availability
17	A2002001	GRIDDLE HEAT BAFFLE - SLOT SUPT	1	EA	
18	A1008475	GRIDDLE FLUE DIVERTER	1	EA	NO LONGER AVAILABLE, Not available online / Call for pricing and availability

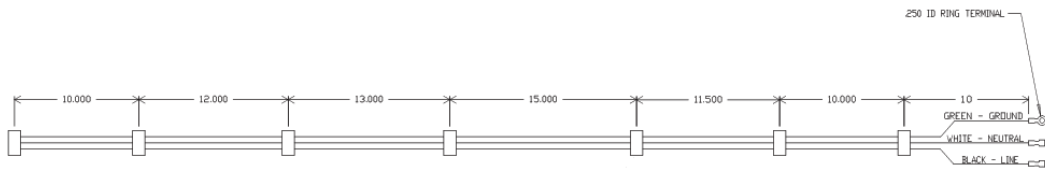
IGNITER WIRES





Item	Part No.	Name	Qty	Uom	NOTES
1	000647-000	IRIS IGNITOR WIRE, FRONT BURNER	1	EA	
2	006766-000	IRIS IGNITOR WIRE, BACK BURNER	1	EA	

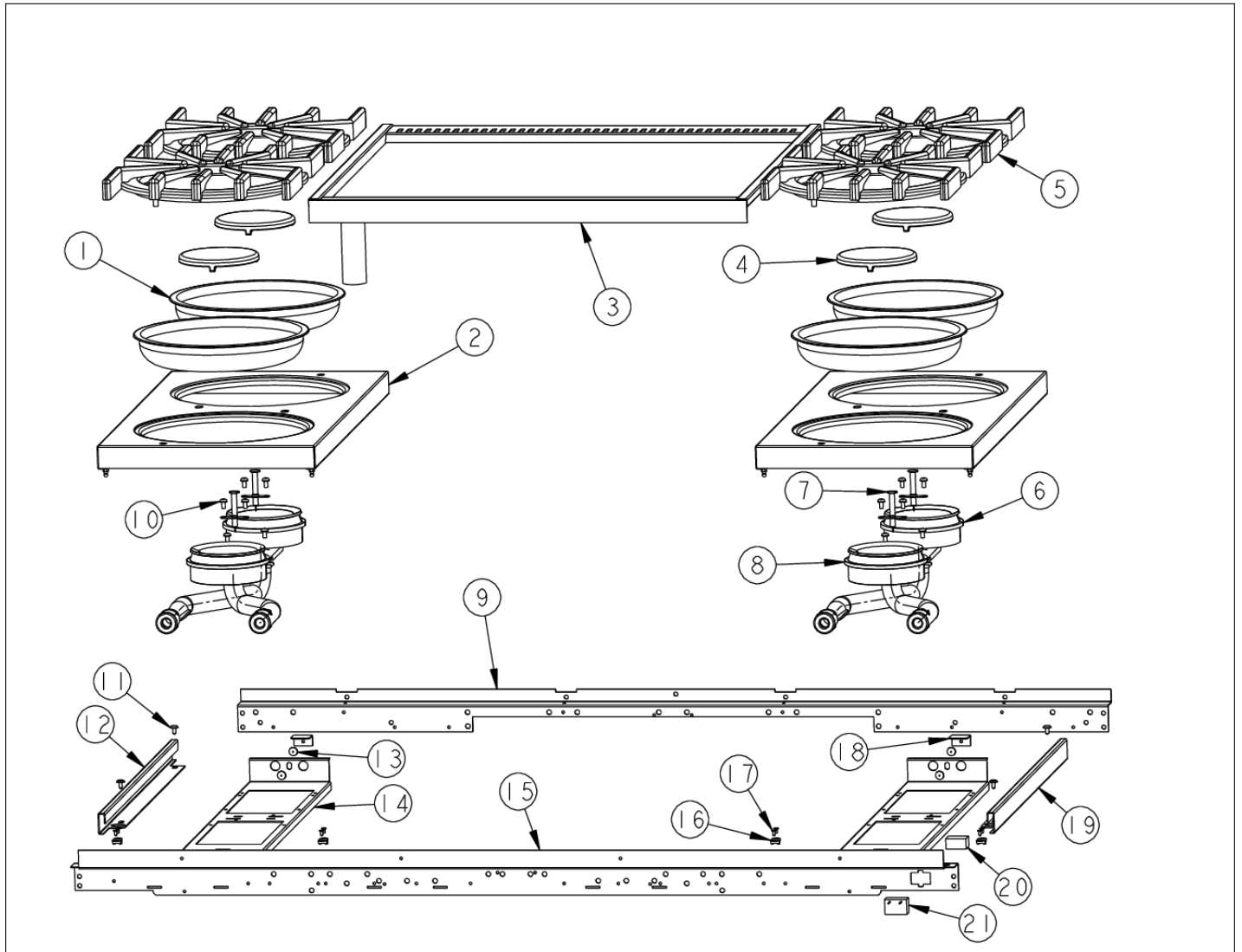
1





Item	Part No.	Name	Qty	Uom	NOTES
1	PE070891	IRIS HARNESS - 48"	1	EA	

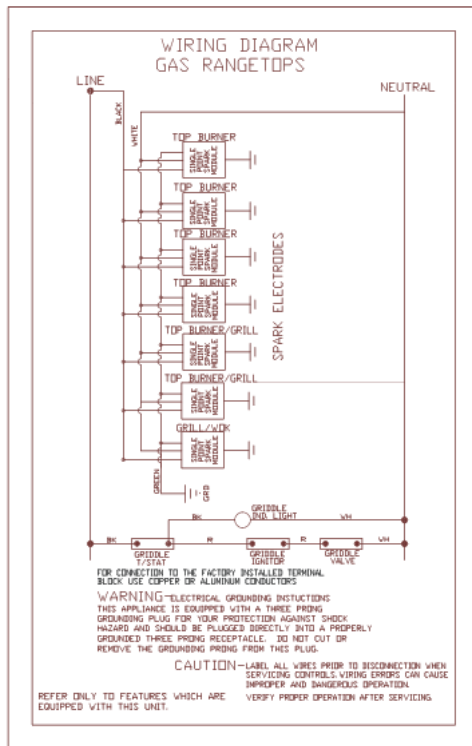
SURFACE COOKING AREA





Item	Part No.	Name	Qty	Uom	NOTES
1	PA030002BK	BURNER BOWL (VGRT) **BK**	1	EA	
Not Shown	PA030002WH	BURNER BOWL (VGRT) **WH**	1	EA	
2	G50013584BK	GRATE SUPPORT SERVICE KIT (BK)	1	EA	
Not Shown	G50013584WH	GRATE SUPPORT SERVICE KIT (WH)	1	EA	
3	003224-000	24" OPEN FRIDDLE FRAME WELD ASM	1	EA	
4	PA080015	BURNER CAP-VGRT *BK*	1	EA	
5	PA060037	GRATE BK REPL PA060024 (GEN.#2)	1	EA	
6	PA080036	TOP BURNER REAR REPL PA080008	1	EA	
7	PA020028	SPARK IGNITER	1	EA	
8	PA080037	TOP BURNER FRONT REPL PA080007	1	EA	
9	A2001908	REAR BURNER SUPT -48" (VGRT/RC)	1	EA	Not available online / Call for pricing and availability
10	PD020004	10X3/8PH.HD.TYPE 25 REPL PD040125	1	EA	
11	PD020032	SRW-8(A)X3/8"PH.WFR HD 7/16DIA*NICL	1	EA	
12	B2001916	SIDE TRIM-LH (VGRT)	1	EA	
Not Shown	C9301916BR	SIDE TRIM LH (VGRT) *BR*	1	EA	
13	PD020002	10 X 1/2 PH.TR.HD.SMS.	1	EA	
14	A2001112	BURNER SUPT (VGRT)	1	EA	
15	A2001104	FRONT SUPT (48")	1	EA	NO LONGER AVAILABLE
16	PD010016	BALL STUD FASTEN	1	EA	
17	PC040010	POP RIVET (.063/GR -.125) GAMD42-A	1	EA	
18	A2001147	GRATE SUPT ANGLE (VGRT)	1	EA	
19	B2001915	SIDE TRIM-RH (VGRT)	1	EA	
Not Shown	C9301915BR	SIDE TRIM RH (VGRT) *BR*	1	EA	
20	PE070071	Disconnect Block - Female	1	EA	
21	000573-000	POWER JUMPER WIRE	1	EA	

WIRING DIAGRAM





Appendix A:Pages Index

000837-000 1
000878-000 2
002666-000 3
BURNER BOX INTERIOR 4
CONTROL AREA 5
DRIP TRAY 6
GRIDDLE SUBASSEMBLY 7
IGNITER WIRES 8
PE070891 9
SURFACE COOKING AREA 10
WIRING DIAGRAM 11



Appendix B:Parts Index

000573-000	10	C9201580FG	5
000647-000	8	C9201580GG	5
000837-000	1	C9201580LE	5
000878-000	2	C9201580MJ	5
002569-000	5	C9201580SG	5
002666-000	3	C9201580VB	5
003224-000	10	C9201580WH	5
003515-000	5	C9301915BR	10
006766-000	8	C9301916BR	10
007147-000	5	G30010697	6
027347-000	1	G30013336	6
050172-000	5	G3001584	5
A1001138	5	G50013584BK	10
A1001198	7	G50013584WH	10
A1001636	7	G93011461PVD	6
A1008475	7	J2101749	6
A20010693	6	PA010012	5
A2001104	10	PA020028	10
A2001112	10	PA020058	5
A2001147	10	PA030002BK	10
A2001300	7	PA030002WH	10
A2001908	10	PA060037	10
A2001911	4	PA070003	5
A2001912	4	PA080015	10
A2002001	7	PA080036	10
A2002847	7	PA080037	10
A2002896	7	PB010004	7
A2002899	7	PB010103	5
A2007610	7	PB010104	5
B2001915	10	PB010206	5
B2001916	10	PB010207	5
B2001919	4	PB010209	5
B2001920	4	PB010264	5
B9201580	5	PB020116	7
C9201580AL	5	PB040001	7
C9201580BK	5	PB040049	7
C9201580BT	5	PB040051	7
C9201580BU	5	PB050077	7
C9201580CB	5	PC040010	4, 6, 10
C9201580EP	5	PD010003	5
		PD010012	5



PD010016 10
PD020002 4, 5, 7, 10
PD020004 7, 10
PD020006 5
PD020010 4
PD020032 10
PD020033 5
PD020049 6
PD020067 5
PD030005 5
PD030006 5
PD030012 7
PD040004 6
PD040005 4, 5
PD040028 6
PE010142 5
PE010143 5
PE010144 5
PE010145 5
PE050023 5
PE050024 5
PE070071 10
PE070128 4
PE070891 9
PK000007 4, 6
PK000008 4, 6